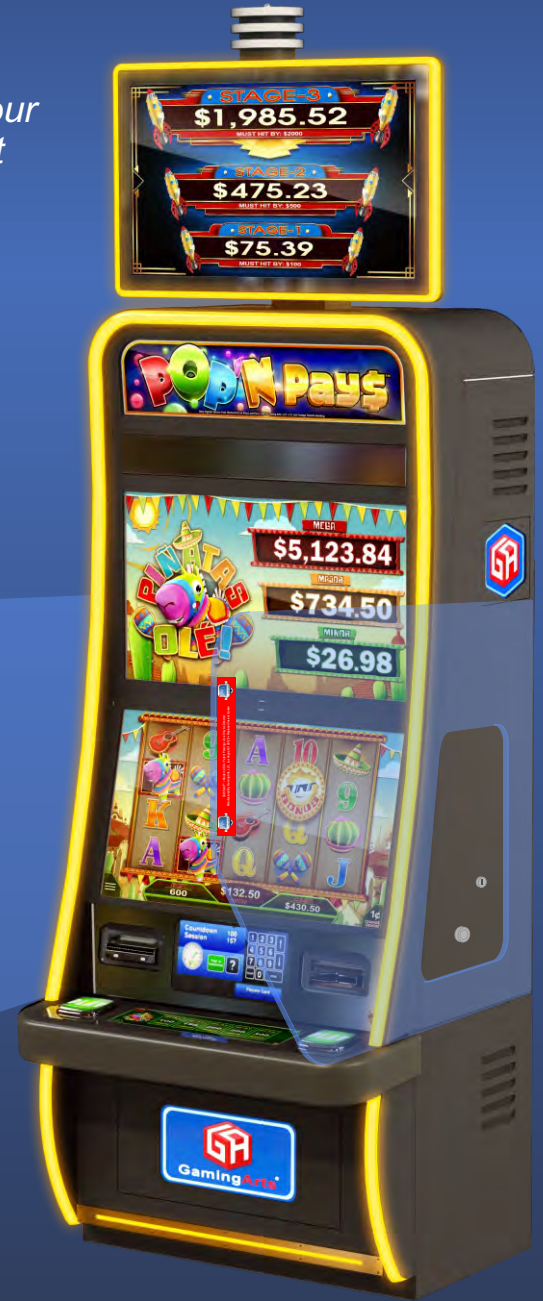




**GA SlotShield™**  
**Protect Your Players**  
**Protect Your Floor**  
**Protect Your Revenues**



*An Option To Restart Your  
 Entire Floor ♦ Not Just  
 Every Other Machine*



**Protect Your Players  
 From The Player's  
 Head to Their Knees**

GA SlotShield™  
 Antivirus Slant Shield  
 patent pending

GA SlotShield™  
 Antivirus Upright Shield  
 patent pending

# EASY INSTALLATION



Typical slot bank after installation.



**Step 1.** Locate 3 or 4 convenient locations for 1"x 3" double sided mounting tape strips. Place on cabinet first.

**Step 2.** Align back of the shield with back edge of cabinet.

**Step 5.** Affix edge notification and player info label.

**Step 3.** Align bottom of shield just above top of button deck.

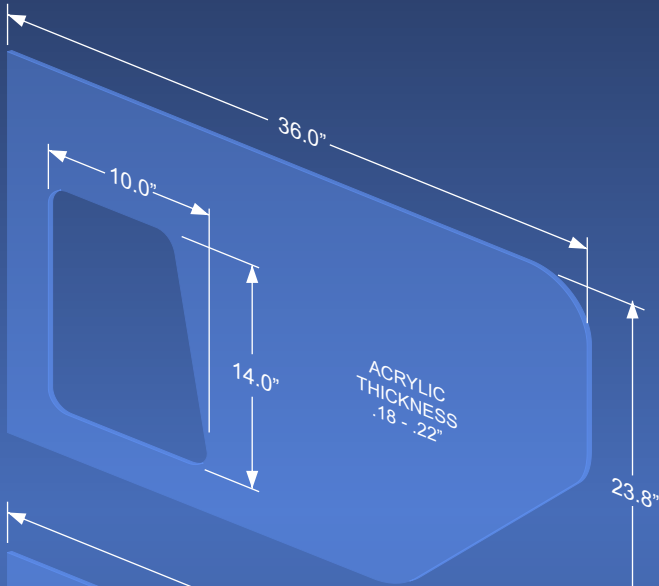
**Step 4.** Press firmly to attach shield to tape. Allow 48 hours for full adhesion.

If locks or latches fall outside of large opening, use hole saw or router to add opening. (optional)

Note: when the time comes, if you choose to remove, the shield will pull off with significant force. Adhesive residue removal spray may be used. Please contact Gaming Arts for further information.

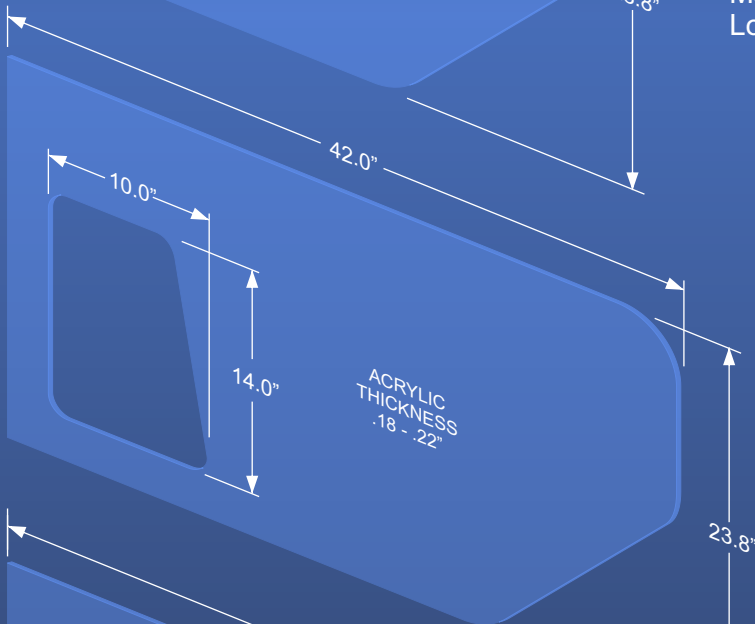


# Three Sizes of GA SlotShields™ Available



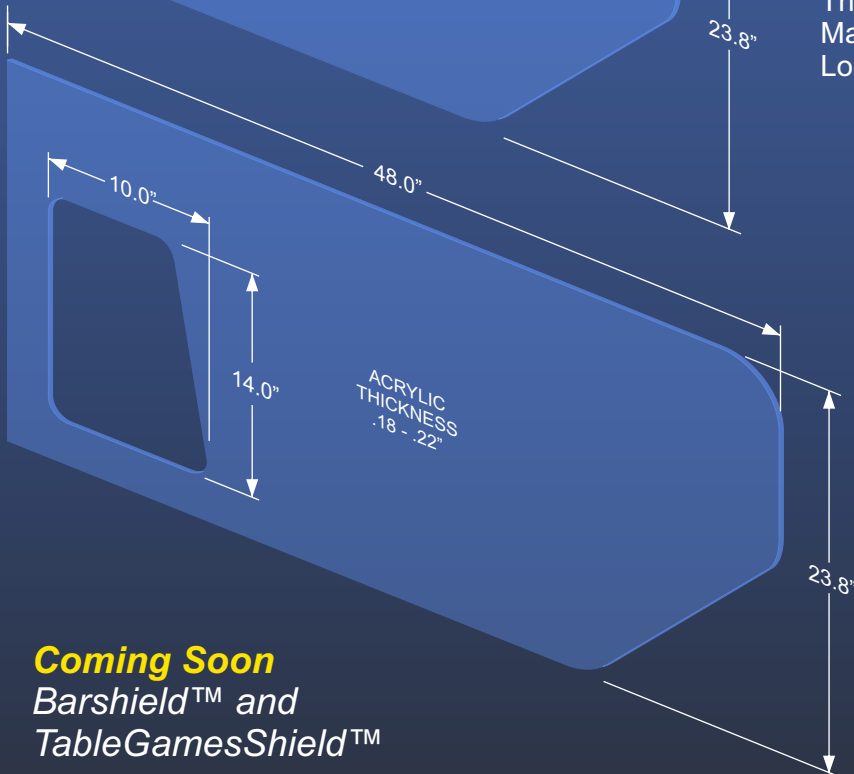
## GA SlotShield™ 36

Overall Length = 36"  
Overall Height = 23.8"  
Thickness = .18" to .22"  
Material Clear Acrylic  
Lock and Latch Window = 10" x 10"



## GA SlotShield™ 42

Overall Length = 42"  
Overall Height = 23.8"  
Thickness = .18" to .22"  
Material Clear Acrylic  
Lock and Latch Window = 10" x 10"



## GA SlotShield™ 48

Overall Length = 48"  
Overall Height = 23.8"  
Thickness = .18" to .22"  
Material Clear Acrylic  
Lock and Latch Window = 10" x 10"

**Coming Soon**  
Barshield™ and  
TableGamesShield™

# Protect Your Players ♦ Protect Your Floor ♦ Protect Your Revenues

Coming Soon ♦ Custom Engineered BarShield™



Coming Soon ♦ Custom Engineered TableGameShield™

